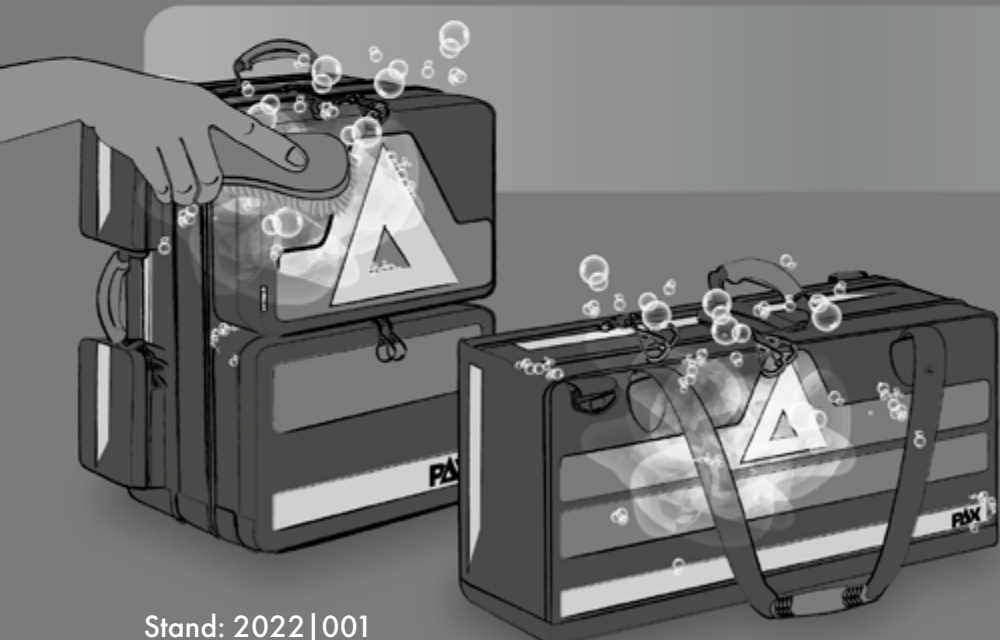




## **PAX Cleaning and maintenance hints**



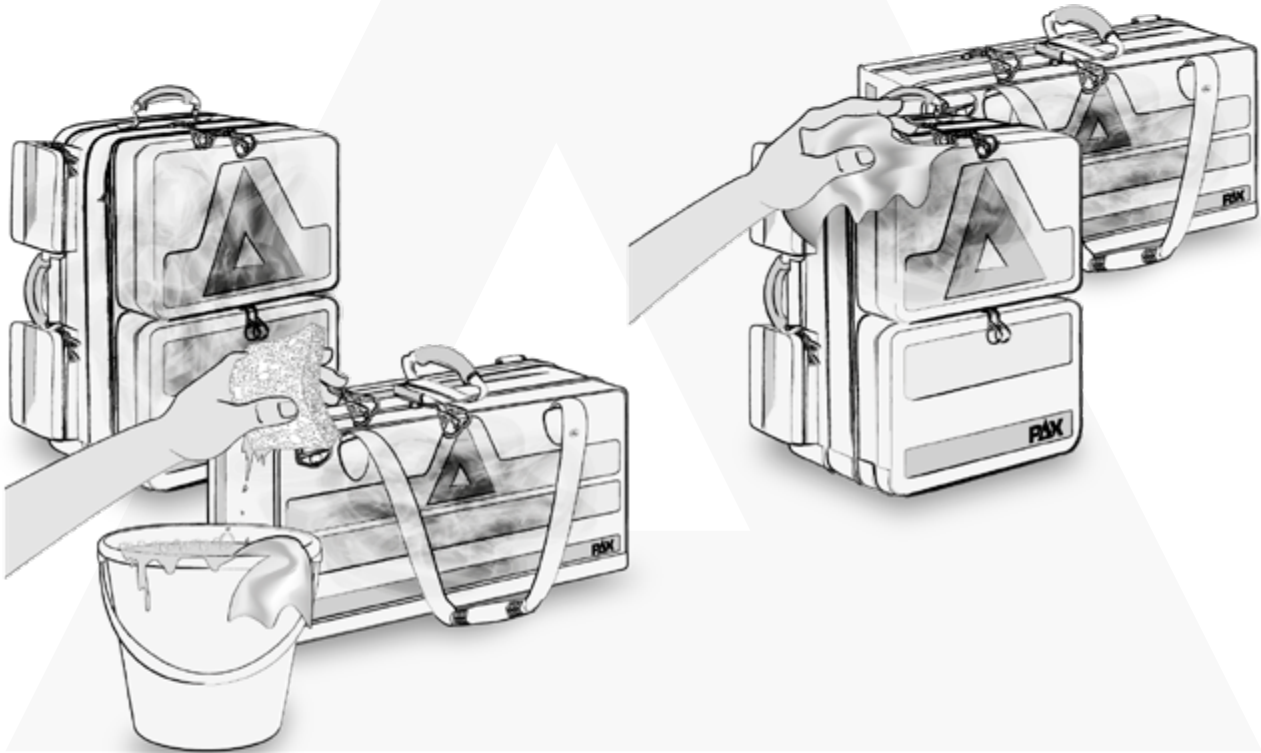


# Wash your bag:

## PAX-Maintenance instructions

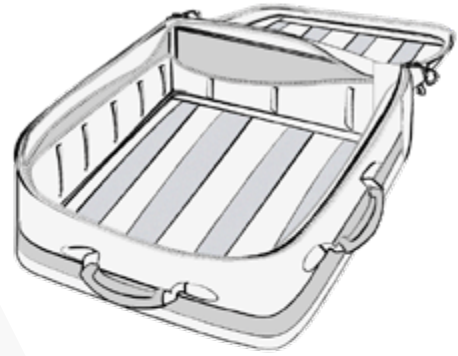
If you compare cleaning of a mud splattered safari jeep to a hardly used Sunday car the aha-effect with the jeep is much higher. That is: You are quite in the fore with your PAX backpacks

and bags: A big before-after-effect in a short period of time! You will find all hints that you need for your cleaning day on the following pages:



## Table of contents

Contents	Material	Page
Preparation for machine wash	D L P TEC RIP Tec	3
Cleaning and maintenance for PAX-Dura and PAX-Light / Liquid detergent	D L	4
Hand-wash	D L	4
Machine-wash	D L	5
Care	D L	5
Cleaning & care PAX-Plan / PAX-Tec / PAX-RIP Tec	P TEC RIP Tec	6
Hand cleaning	P TEC RIP Tec	6
Machine-wash	P TEC RIP Tec	7
Care	P TEC RIP Tec	7
Washing instructions at a glance	D L P TEC RIP Tec	8



## Preparation

### for machine wash

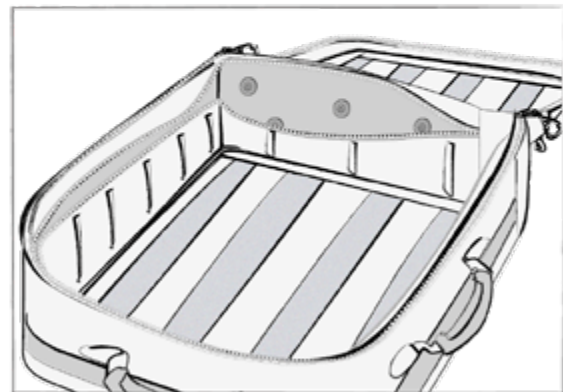
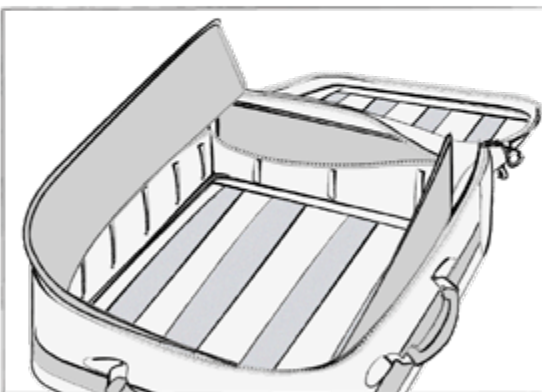
At first you have to remove everything that shouldn't be washed e.g. the content, detachable inner pouches and buckles. In order to remove the back reinforcement turn backpack, respectively bag inside

out. Thus the surfaces are lying straight. Then open the zipper above the corpus inner side, slightly bend reinforcement and carefully pull it out.



Now continue under the same principle with the side reinforcements: Open zippers completely, slightly bend reinforcements and pull it out and finished!

Who wants to wash PAX-Dura or PAX-Light products continues reading the following page. Who wants to clean PAX-Plan, PAX-Tec or PAX-RIP Tec products turns over.



D

L

## Cleaning and maintenance

for PAX-Dura and PAX-Light / Liquid detergent

We have made efforts to coat our PAX-materials so that they are water-repellent and are very proud of the result: Not even the most powerful hightech washing-machine using the most expensive super liquid detergent has managed to penetrate our fibres. Little disadvantage: You can't do without a punctual hand-wash with very dirty spots since penetrated dirt particles can only be removed thoroughly by mechanical power.



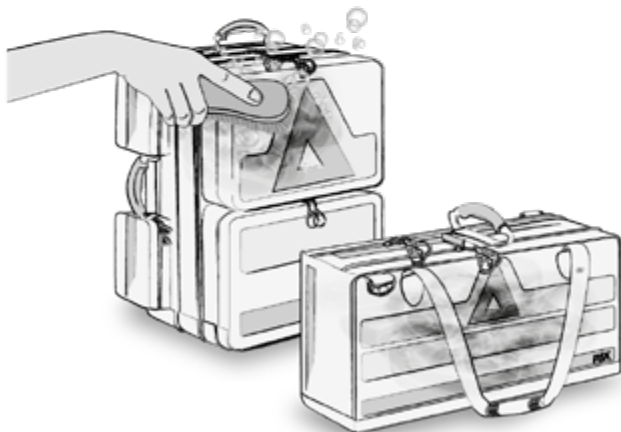
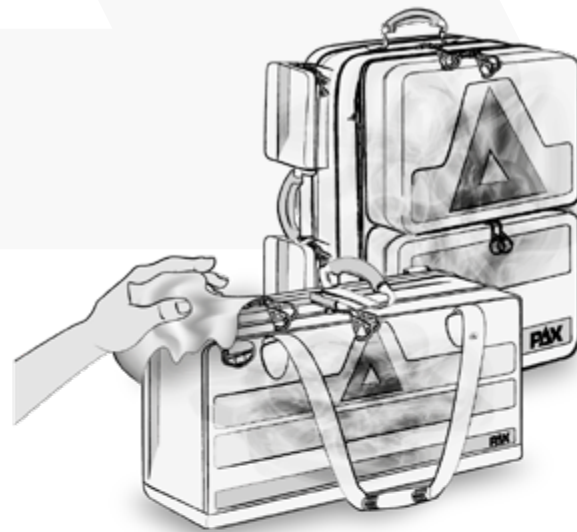
D

L

## Hand-wash

For extremely dirty spots there is nothing better than hand-wash. To do so you take a medium soft hand brush and some suds (e.g. curd soap) and brush under slight pressure in circular movements over the dirty spot. Then you rinse off the suds with warm water and repeat the procedure as often as you are satisfied with the result.

Now you have a clean spot on a slight dusty surrounding? Then you can again machine-wash the backpack, respectively the backpack.

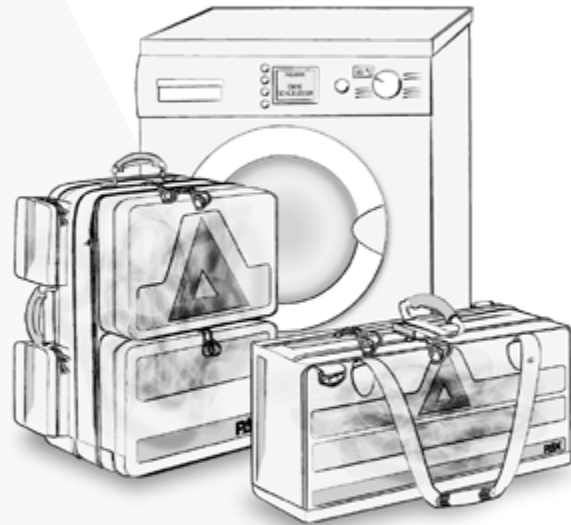




## Machine-wash

The washing-machine is generally appropriate to dusty backpacks, respectively bags. Water temperature should be adapted to a maximum of 40 degree Celsius.

We recommend using a liquid light-duty-detergent since dry washing powders leave detergent powder deposits in the fabric.



### Attention

Never spin-dry since otherwise the water-proof coating could be damaged. Please also bear in mind that each machine-wash can shorten the lifetime of the fabric.



## Care

Finished washing? Very good, then comes care. A commercially available impregnation spray for artificial fabrics is suitable. Before you begin the backpack has to be completely dry. The reason: Residual humidity can't leak from fibre and sealing. After the backpack has dried up you can reassemble the the back and side reinforcements and then use the spray.



And finally comes the zipper. For it's maintenance we recommend an uncoloured dry-film lubricant (silicone spray) which you rub the complete zipper with. And if you have done that, your PAX-backpack is clean and ready for operation again for a long time!

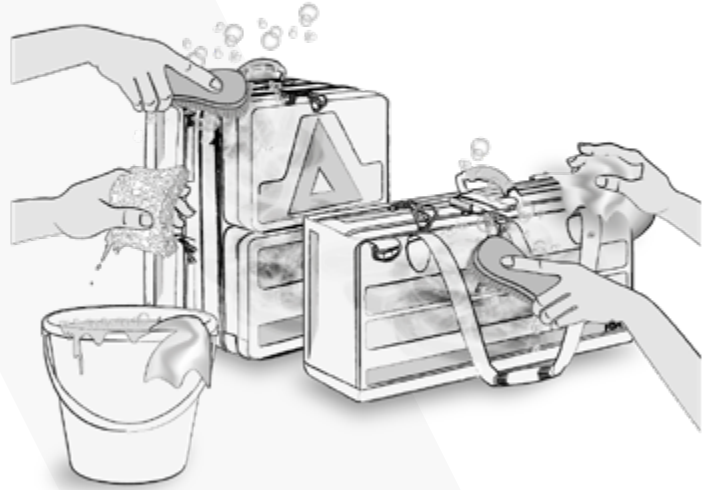




## Cleaning and Care

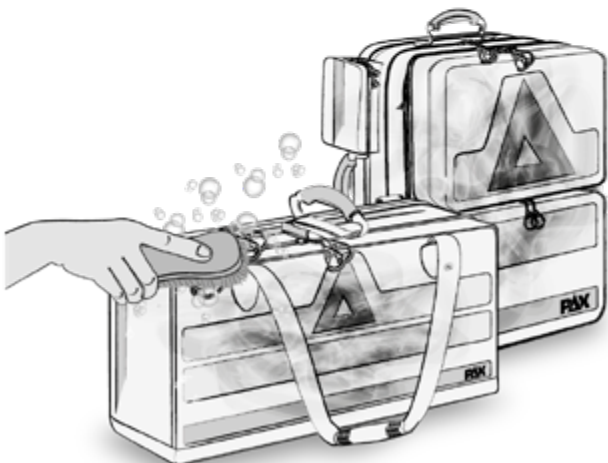
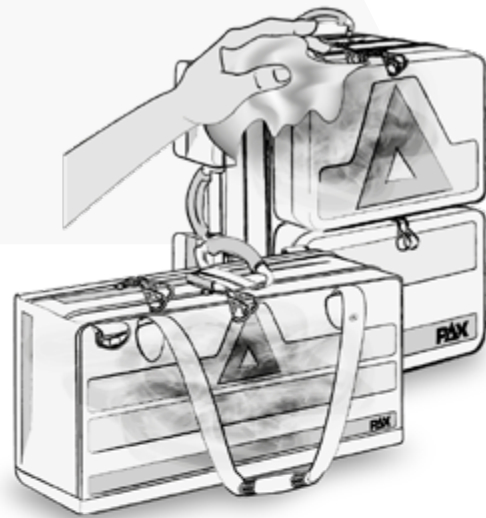
PAX-Tec / PAX-Plan / PAX-RIP Tec

As far as PAX-Plan, PAX-Tec and PAX-RIP Tec are concerned these materials more often need a catlick. What counts here is: The longer the dirt adheres to the material, the more it clings to it. However fresh dirt can mostly be easily wiped off.



## Hand cleaning

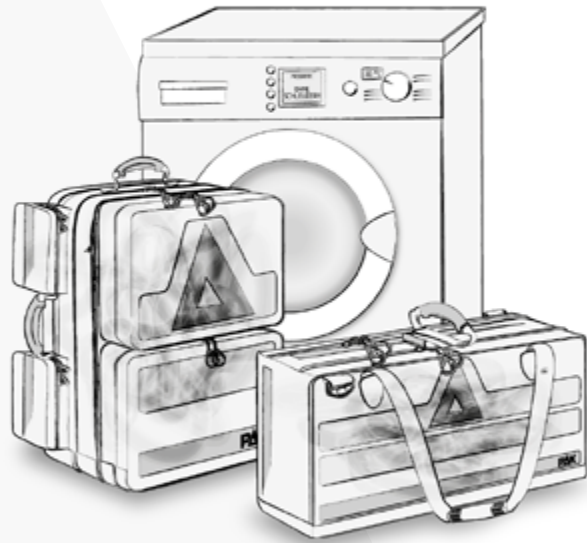
Due to the fact that they are so plain, a catlick with PAX-Plan, PAX-Tec and PAX-RIP-Tec is totally easy: Water cotton cloth, wipe off dirt and that's it. Regarding older dirt you have to proceed a bit more intense – we recommend a soft hand brush and a professional canvas cleaner. First you have to brush the canvas cleaner under soft pressure in circular movements onto the dirty spots. Then you rinse off the cleaner with warm water. Repeat this procedure until you are satisfied with the result. Now you have a clean spot on a slight dusty surrounding? Then you can again machine-wash the backpack, respectively the backpack.





## Machine-wash

The machine-wash is generally appropriate to dusty backpacks, respectively bags. The water temperature should be adapted to a maximum of 40 degree Celsius. We recommend using a liquid light-duty-detergent since dry washing powders leave detergent powder deposits in the fabric. Attention: Never spin-dry since otherwise the water-proof coating could be damaged. Please also bear in mind that each machine-wash can shorten the lifetime of the fabric.



## Care

Finished washing?  
Very good, then comes care. In a first step this means complete drying. Put the backpack, respectively the bag for a longer period of time in a warm place since due to the fibre coating it's not so easy for the residual humidity to escape. Afterwards you can reassemble the back and side reinforcements and rub the zippers with an uncoloured (silicone) dry-film lubricant. After you have done that your PAX-product is clean and ready for operation again for a long time!



### Hint

In order to remove oil spots we recommend to rub the fresh spot with a piece of butter. After a short residence time oil and butter can be removed with a little suds. Please do not use aggressive benzine. It can damage the fibre coating.

## Washing instructions at a glance

Material	Washing instruction	Finished on
<b>P</b> PAX-Plan		40 degrees Coloureds - Easy to care for, Do not squeeze; Dry in shade, Do not iron.
<b>TEC</b> PAX-Tec		40 degree delicates, hand wash, cold wash, lying dry, not squeezed out
<b>D</b> PAX-Dura		40 degree delicates, hand wash, cold wash, lying dry, not squeezed out
<b>L</b> PAX-Light		40 degree delicates, hand wash, cold wash, lying dry, not squeezed out
<b>T-RIP</b> PAX-Rip-Tec		40 degree delicates, hand wash, cold wash, lying dry, not squeezed out

## PAX Material at a glance

Material	Specification
<b>P</b> PAX-Plan	The bilaterally closed surfaces facilitate a very good cleaning with tarp cleaners and the effective application of disinfectants. Fabric: PES, min. 1000 dtex - bilateral PVC-coating, fabric weight: approx. 650 g/m <sup>2</sup> .
<b>TEC</b> PAX-Tec	This light and one side coated material withstands the highest requirements and is easy to clean. Woven fabric, polyester, min. 750 dtex – TPUcoated on one side, Fabric weight approx. 400 g/m <sup>2</sup> .
<b>D</b> PAX-Dura	This material is characterised by its exceptionally high tear strength and abrasion resistance. Woven fabric: Polyamid 6.6 – min. 1100dtex – waterproof PU-coating Fabric weight approx. 390 g/m <sup>2</sup> .
<b>L</b> PAX-Light	This quality is used for light products and inner layers. It's resistant, waterproof and disinfectable. The weight is between 150 and 200 g/m <sup>2</sup> .
<b>T-RIP</b> PAX-Rip-Tec	PAX-Rip Tec is our new and extremely abrasion resistant material, which we use for lightweight backpack solutions. Fabric: Polyamid with PU coating on both sides. Weight: 246 g/m <sup>2</sup> .





**X-CEN-TEK GmbH & Co. KG**

Westerburger Weg 30  
D-26203 Wardenburg  
Germany

Phone: +49 (0)44 07 - 7 14 76 - 0  
Fax-No.: +49 (0)44 07 - 7 14 76 - 99  
Email: [info@pax-bags.de](mailto:info@pax-bags.de)



[www.pax-bags.com](http://www.pax-bags.com)

